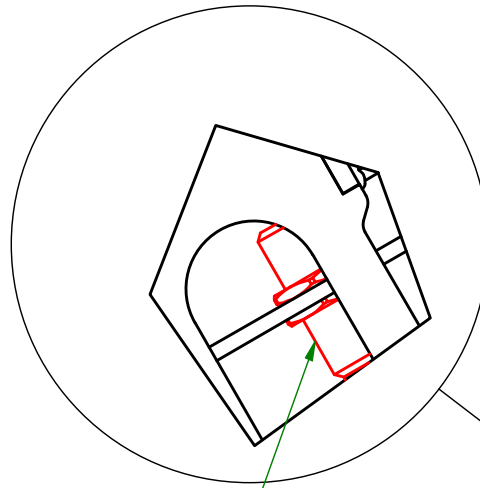
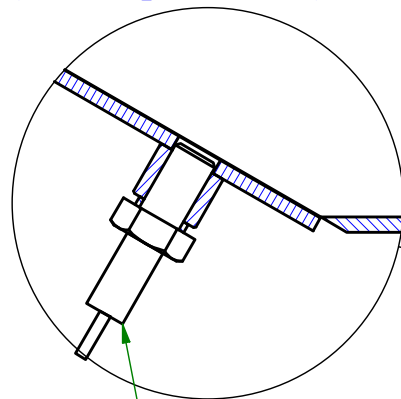


B (Flap position detector)

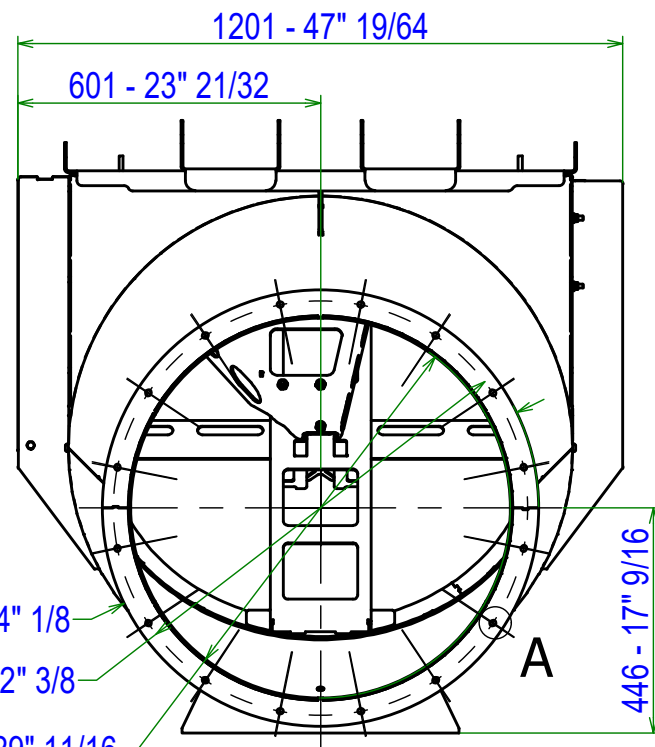
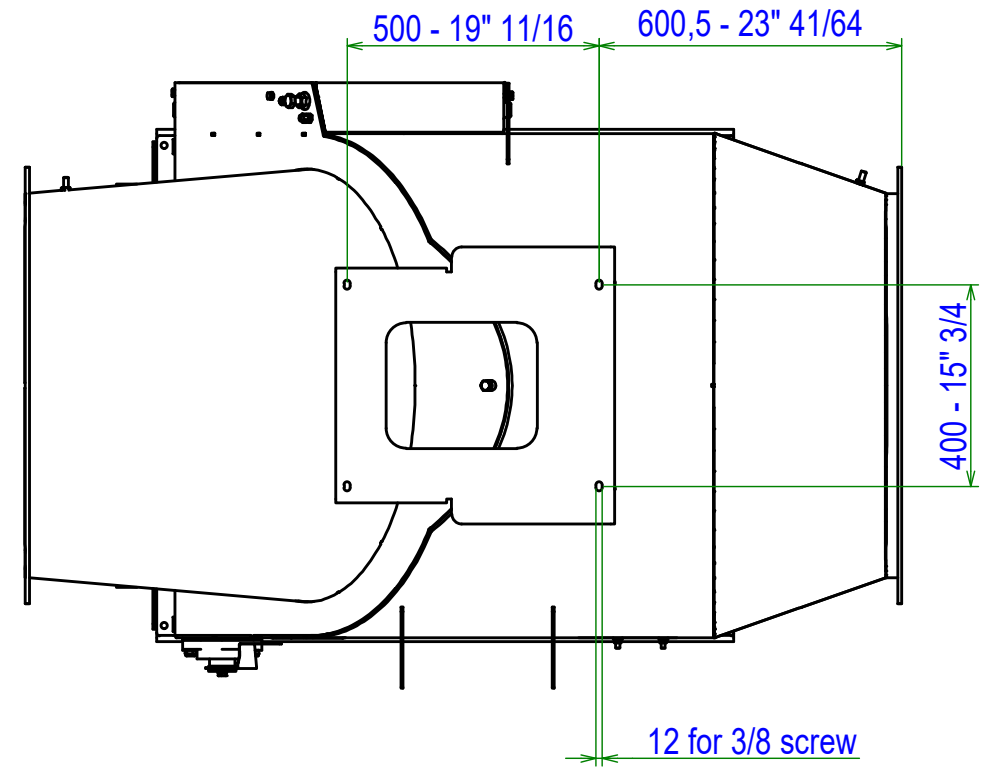


Inductive detector M18

C (Build up detector)

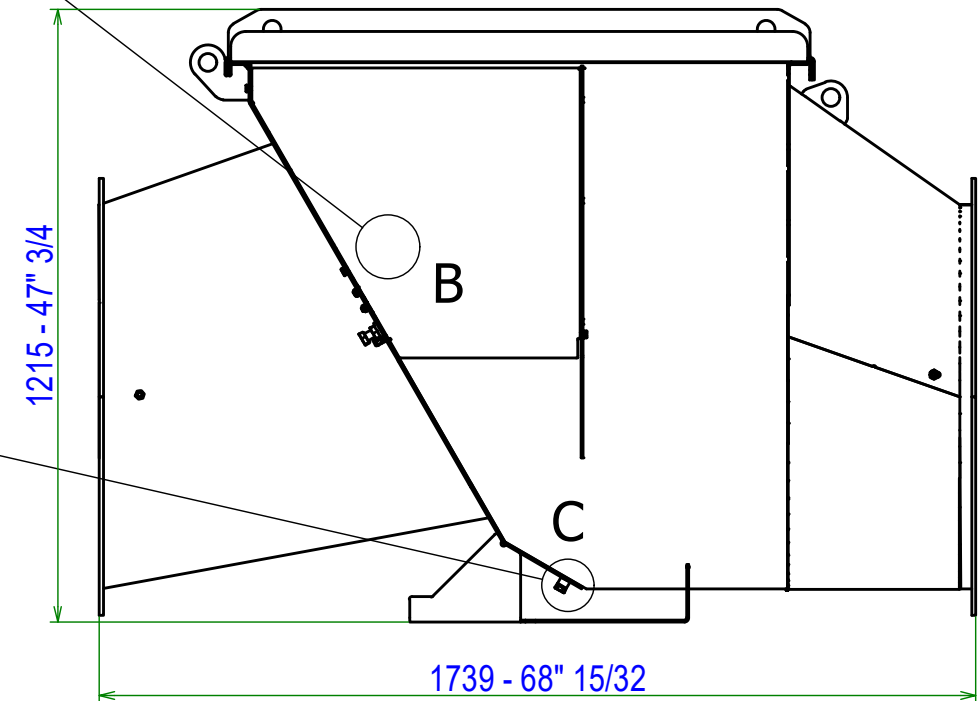
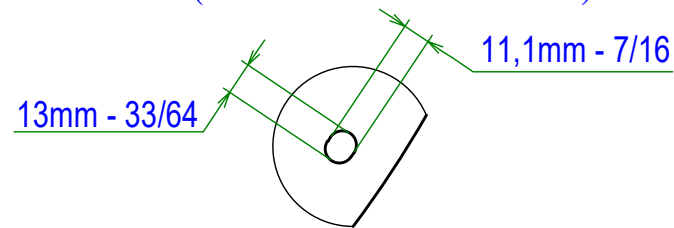


Capacitive detector M12



Outside Ø866,6 - 34" 1/8  
Axis Ø822,3 - 32" 3/8  
Inside Ø754 - 29" 11/16

A (Hole x16 for 3/8 screw)



Pressure resistance = 2bar  
Optional flanges and flange gaskets

Informative dimension

Weight : 285 kg

A	Création	22/03/21	BM	MJ
Ind.	Objet de la modification	Date	Nom	Vérif.
Matière:		Date de création: 22/03/2021	A3	Ech.: s/e
Plan n°: 57VP_030_Clt				
Désignation: <b>VigiFlap PASSIVE Ø30"</b>				